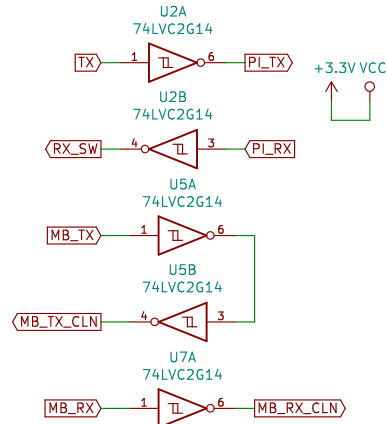
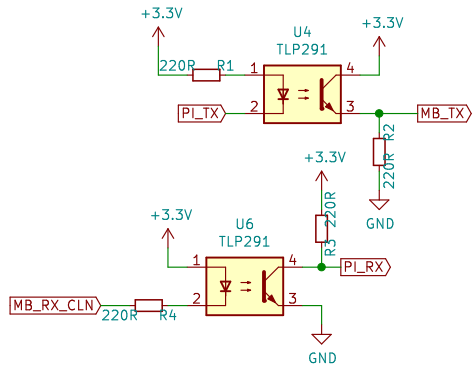


Scmitt Triggers to clean up and invert signals

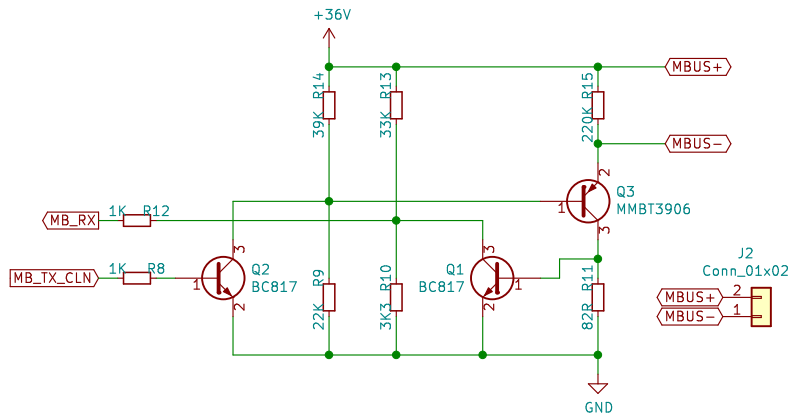


M-Bus Opto-isolation



Current approx 10mA thru diode

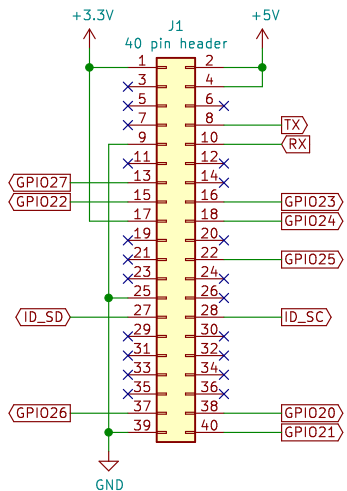
Main M-Bus Communication



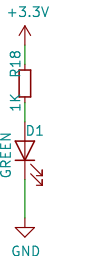
Adapted from <https://github.com/rscada/libmbus>

This design works OK up to and including 115200 baud

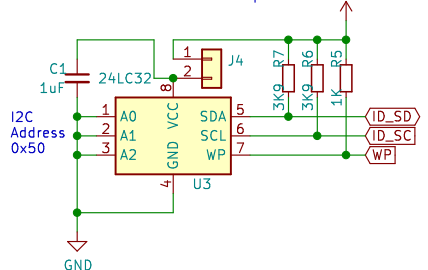
Pi GPIO Header



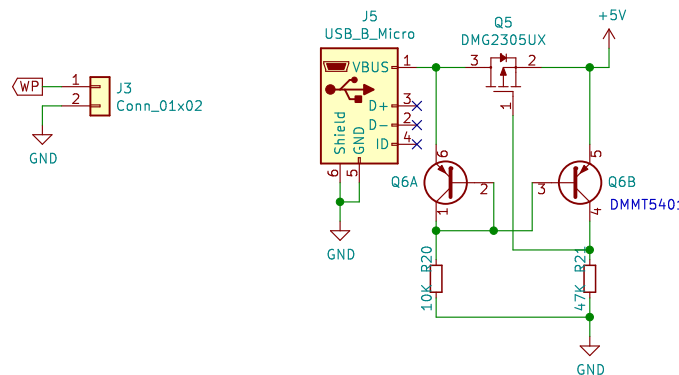
Board Power LED



Hat I2C Eeprom

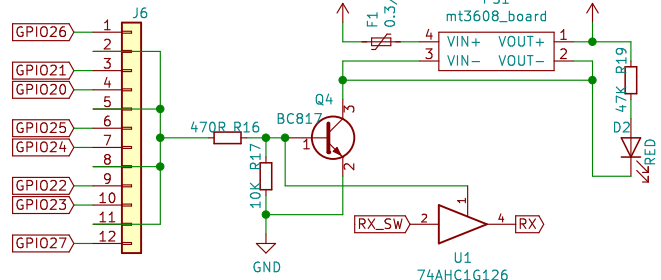


Backpowering Circuit



See <https://github.com/raspberrypi/hats/blob/master/zvd-circuit.png>

M-Bus GPIO Selection



M-Bus Master Hat Schematic  
(c) packom.net 2019

Sheet: /  
File: mbus master hat.sch

<b>Title:</b>		<b>Rev:</b> 1.4	
Size: A4	Date: 30 Oct 2019	Id: 1/1	
KiCad E.D.A. kicad (5.0.0)			