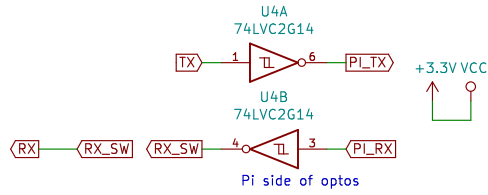
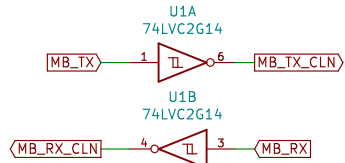


Scmitt Triggers to clean up and invert signals

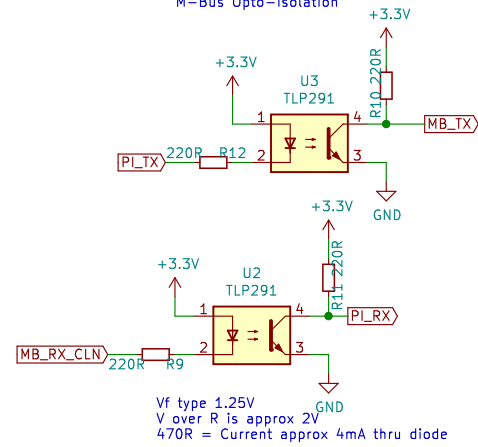


Pi side of optos

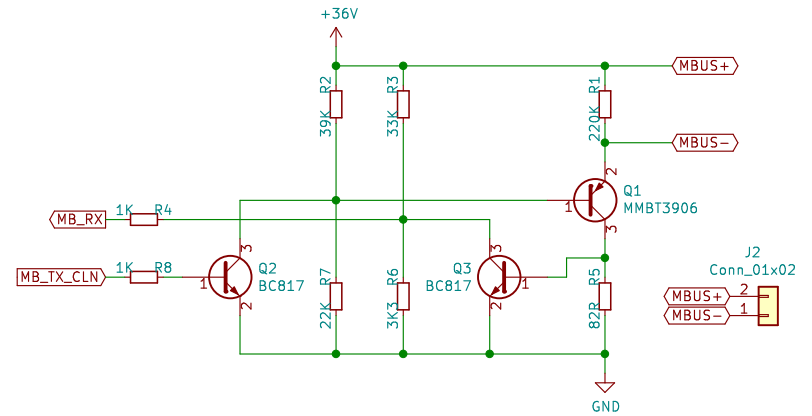


M-Bus side of optos

M-Bus Opto-isolation

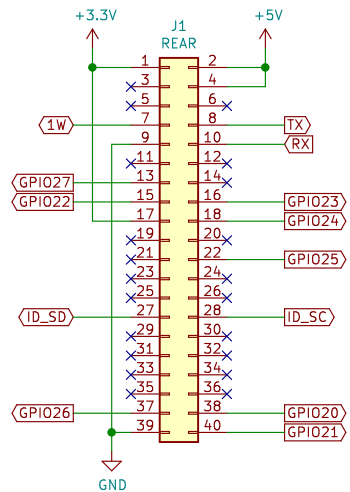


Main M-Bus Communication

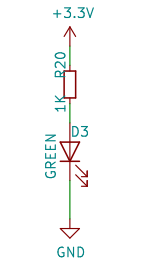


This design works up to and including 115200 baud

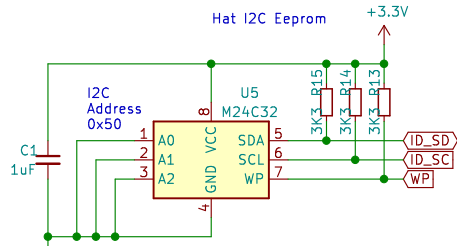
Pi GPIO Header



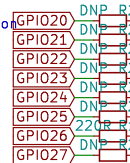
Board Power LED



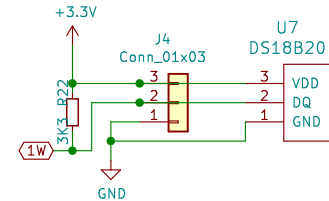
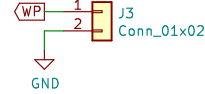
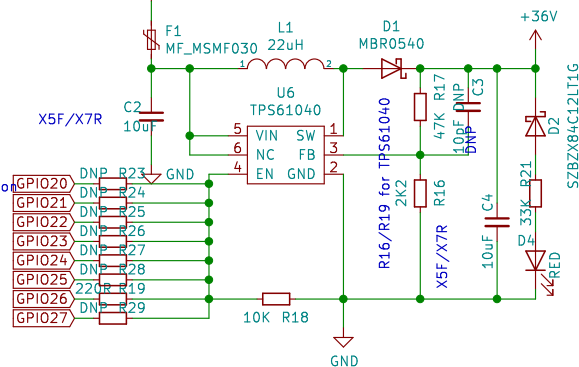
Hat I2C Eeprom



M-Bus GPIO Selection



M-Bus Power



M-Bus Master Hat Schematic
(c) packom.net 2021

Adapted from <https://github.com/rscada/libmbus>

Sheet: /
File: mbus master hat.sch

Title:

Size: A4 Date: 19 Jan 2021
KiCad E.D.A. kicad (5.0.0)

Rev: 1.7f
Id: 1/1